

PRODUCT PROFILE

BULLETIN 700-HL

BULLETIN 700-HL 2 POLE TERMINAL BLOCK RELAY

This relay product family has been expanded to now offer the 700-HL 2-Pole Terminal Block Relay. These new terminal block relays are designed for a variety of high-density isolation and interposing applications. The 700-HL serves as an interposing relay between the controller and field devices.

- Slim build of only 14mm wide that meets the demand for panel space-savings
- Standard built-in reverse DC polarity protection ensures DC coil devices are not damaged if improper polarity is connected
- Separation of coil and contact terminals
- Snap in market system
- C-UL-US listed relay and socket combinations
- One piece housing construction in terminal area to prevent screwdriver blade from catching on housing seam
- 10 Amp Contact Rating

ADVANTAGES

Easy, Cost Effective Installation

- Requires only one wire to connect to a coil, common or contact power distribution terminal through the use of the 8-way jumper wiring system
- Electrical wiring costs can be significantly reduced by use of the optional 8-way jumpers and spring clamp terminals

Optional Spring Clamp Technology

- Reduces installation time and labor costs versus traditional screw terminal sockets
- Superior choice for high vibration applications

Gold Plated Contacts - Optional

- Ensures corrosion will not form on the contact surface over time
- Switches low energy loads reliably as low as 5V, 1mA, 50mW

ESSENTIAL COMPONENTS.
EXCEPTIONAL VALUE.



One piece housing construction in terminal areas

勝特力材料 886-3-5753170
勝特力电子(上海) 86-21-34970699
勝特力电子(深圳) 86-755-83298787
[Http://www.100y.com.tw](http://www.100y.com.tw)

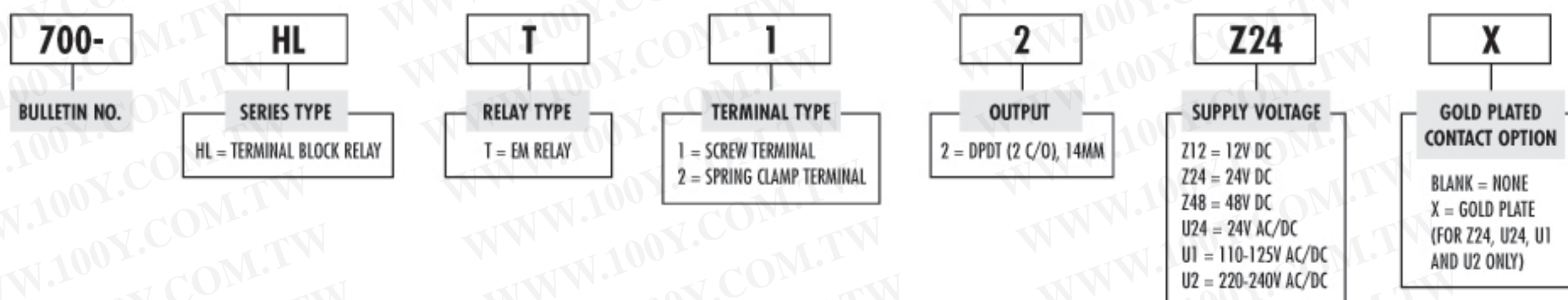


Optional 8-way jumpers

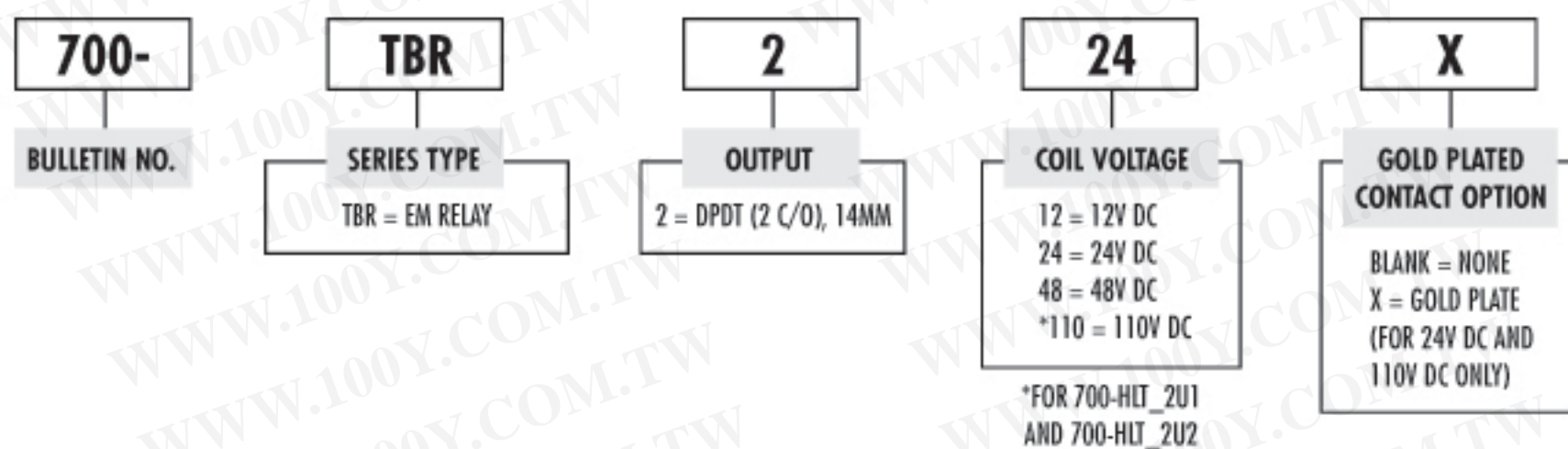
Accommodates 1492-MS* Markers

PRODUCT SELECTION, SPECIFICATIONS

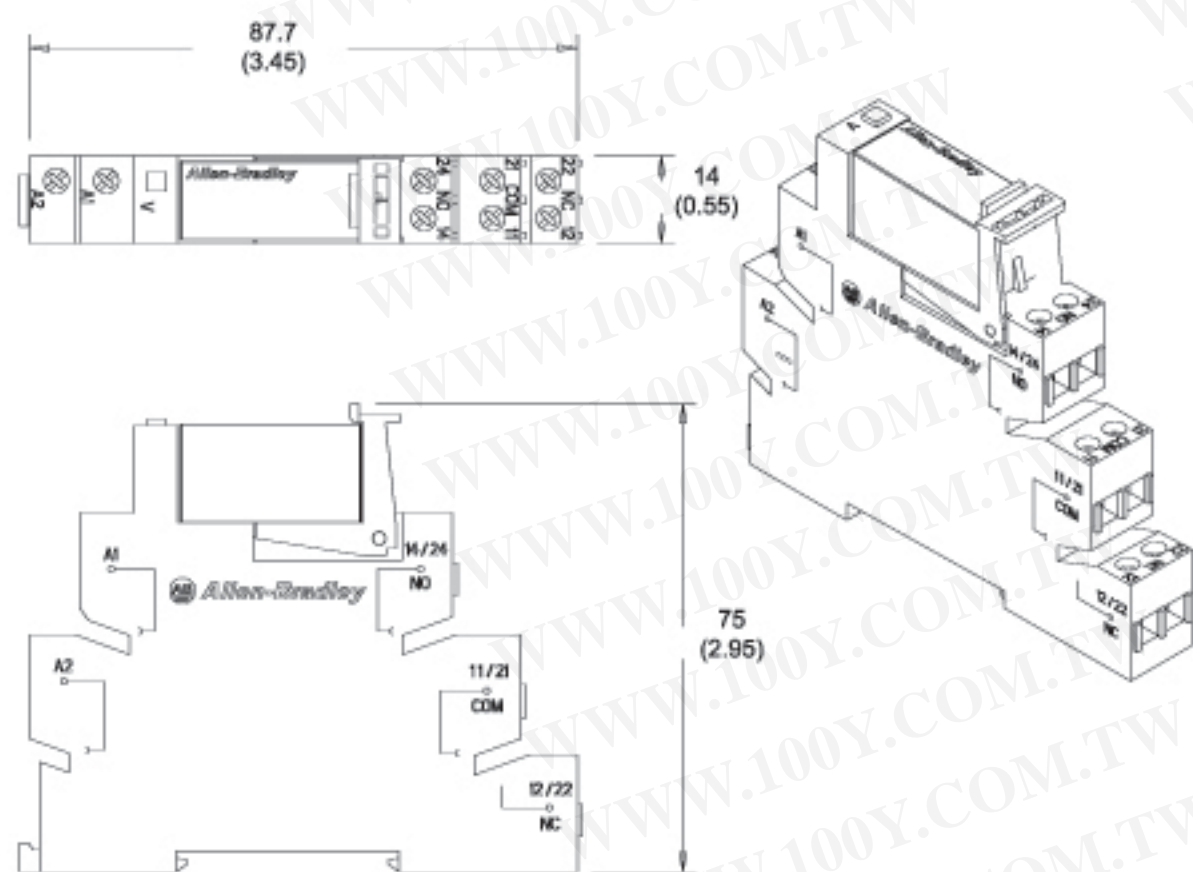
700-HL 2-Pole Terminal Block Relay



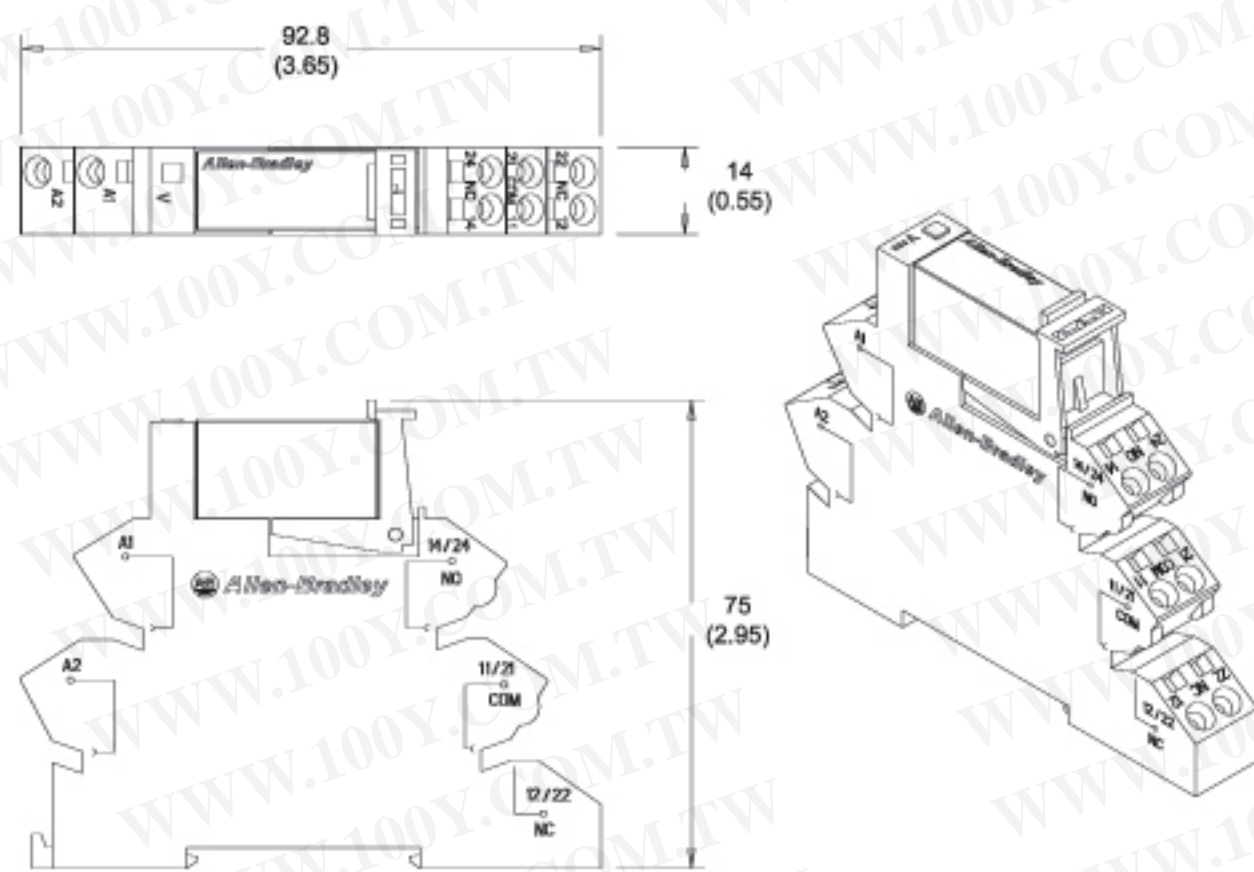
700-HL 2-Pole Replacement Relay



700-HL 2-Pole Interposing/Isolation Relays Approximate Dimensions



Bulletin 700-HL Screw Terminal Design
 Single Wire: 0.2 mm²...2.5 mm² (#24 AWG...#14 AWG)
 Wire Type: Solid or stranded, copper only
 Strip Length: 9 mm (11/32).



Bulletin 700-HL Spring Terminal Design
 Single Wire: 0.2 mm²...2.5 mm² (#24 AWG...#14 AWG)
 Wire Type: Solid or stranded, copper only
 Strip Length: 9 mm (11/32)